

# Table of Contents

*Section G*

## Section “G”: Aprons

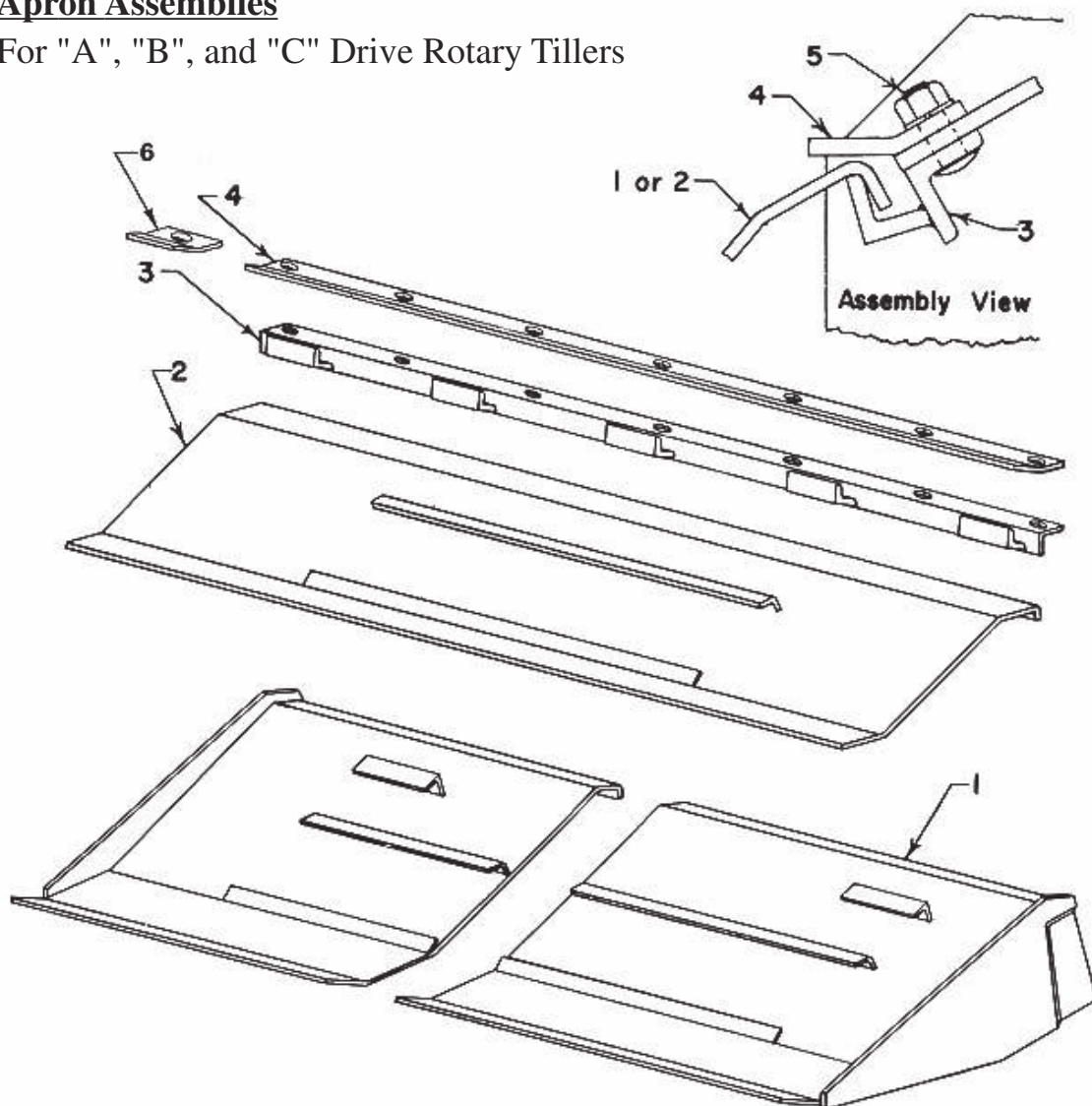
Apron Assemblies for Standard & Heavy Duty Tillers .....	G1
Apron Hold Down.....	G2-G3
Furrowers & Apron Extensions .....	G4
Peak Bedformers.....	G5
Row Crop & Bedder Apron Hold Down.....	G6



Call or E-mail Northwest Tillers today  
800.204.3122 • [www.nwtiller.com](http://www.nwtiller.com)

### Apron Assemblies

For "A", "B", and "C" Drive Rotary Tillers



<u>Item</u>	<u>Part #</u>	<u>Description</u>
1 .....	RB-21865 .....	Heavy Duty Apron - "C" Tiller Only (Specify Width)
1 .....	SRB21593- .....	Heavy Duty Apron - High Clearance "D" (Specify Width)
2 .....	SRB21860- .....	Standard Duty Apron - "A" & "B" Tillers (Specify Width)
3 .....	RB-21158 .....	Apron Hinge
4 .....	RB-1772 .....	Apron Retainer
5 .....	10713 .....	7/16" x 1" Carriage Bolt
5 .....	10780 .....	7/16" Nut
5 .....	10790 .....	7/16" Lock Washer
6 .....	RB-1774 .....	Apron Retainer

When ordering, be sure to add Tiller size to part number.  
 Example SRB21860-4 would be a standard Duty Apron for a 48" Tiller

**Apron Hold Down**

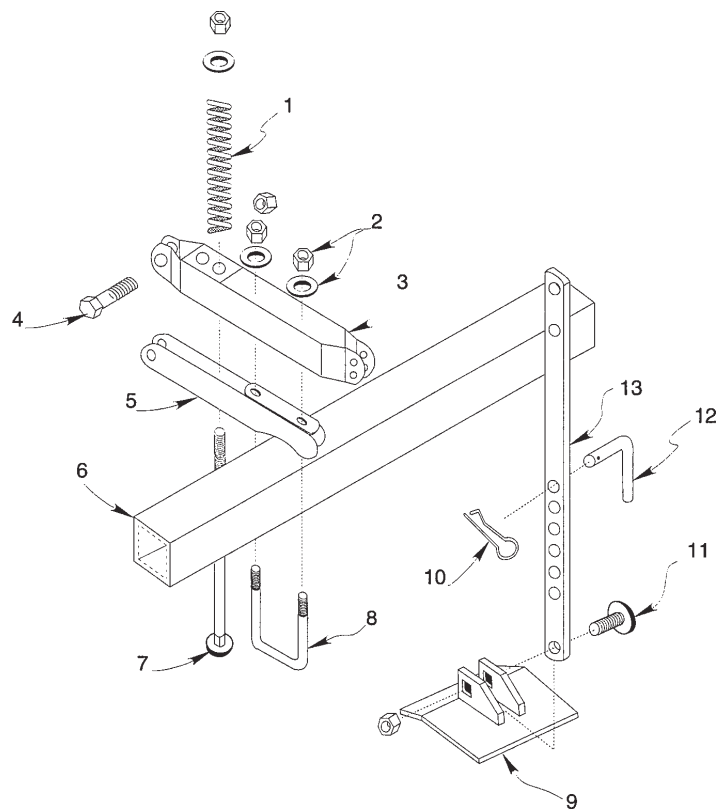
Bundle No. SRB4400



Item #	Part #	No.Used	Description
1	SRB4400		Apron Hold Down
2	10781	3	1/2" Nut
3	10802	3	1/2" Flat Washer
4	RB-634	1	Spring
5	RB-21034	1	Arm Assembly
6	RB-638	1	Rear Bar (Specify Length)
7	20042	2	1/2" Grip Nut
8	10590	1	1/2" N.C. x 2 1/4" Cap Screw
9	RB-1028	1	1/2" N.C. x 11" Carriage Bolt
10	RB-2741	1	Apron Bracket
11	RB-646	1	"U" Bolt
12	RBP-927	1	Hair Pin
13	RB-1038	1	Pin
15	10728	1	1/2" N.C. x 1 1/2" Cge. Bolt
16	RB-1029	1	Adjustment Link

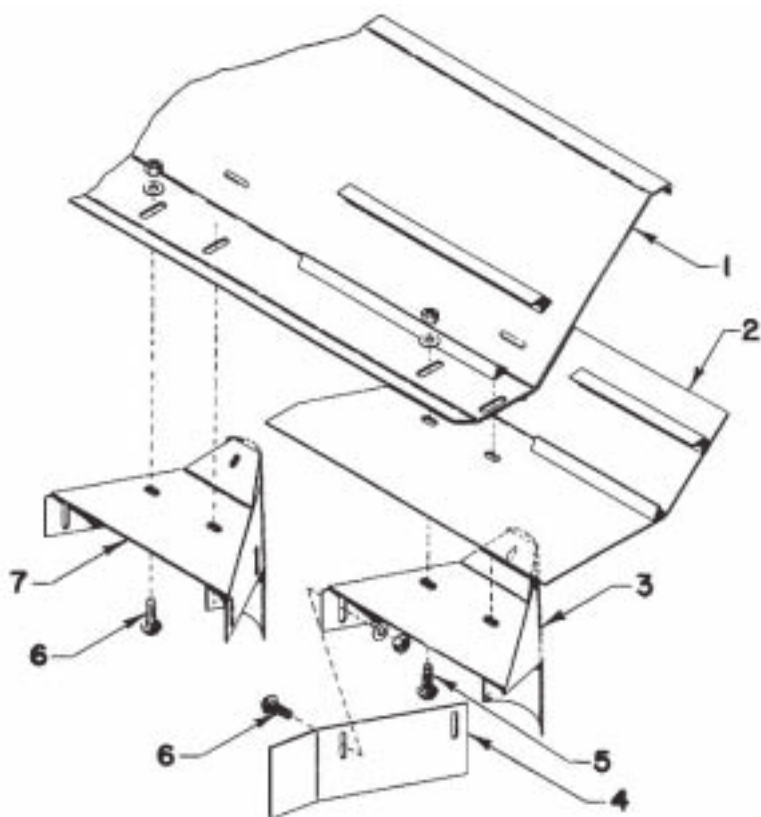
**Apron Hold Down**

Bundle No. SRB4400



Item	Part #	No.	Description
1	RB-634	1	Spring
2	10781	2	1/2" Hex Nut
2	10802	2	1/2" Flat Washer
3	RB-21034	1	Arm Assembly
4	10590	1	1/2" N.C. x 2 1/4" Cap Screw
4	20042	1	1/2" Grip Nut
5	RB-2645	1	Bracket Assembly
6	RB-638	1	Rear Bar (Specify Length)
7	RB-1028	1	1/2" N.C. x 11" Carriage Bolt
7	10781	1	1/2" Nut
7	10802	1	1/2" Flat Washer
8	RB-646	1	"U" Bolt
9	RB-2741	1	Apron Bracket
10	RBP-927	1	Hair Pin
11	10728	1	1/2" N.C. x 1 1/2" Cge. Bolt
11	20042	1	1/2" Grip Nut
12	RB-1038	1	Pin
13	RB-1029	1	Adjustment Link

## Furrowers & Apron Extensions



<u>Item #</u>	<u>Part #</u>	<u>Description</u>
1 .....	RB-2988 .....	Row Crop Apron
1 .....	RB-21593 .....	Apron High Clearance Only (Specify Width)
2 .....	RB-21503 L.H. ....	Apron Extension
2 .....	RB-21504 R.H. ....	Apron Extension (Shown)
3 .....	RB-21251R .....	End Furrower (R.H. Shown)
3 .....	RB-21251L .....	End Furrower (L.H.)
4 .....	RB-1599L .....	Landside (L.H. Shown)
4 .....	RB-1599R .....	Landside (R.H.)
5 .....	10714 .....	7/16" x 1 1/4" Carriage Bolt
5 .....	10780 .....	7/16" Nut
5 .....	10801 .....	7/16" Flat Washer
6 .....	10713 .....	7/16" x 1" Carriage Bolt
6 .....	10780 .....	7/16" Nut
6 .....	10801 .....	7/16" Flat Washer
7 .....	RB-21256 .....	Center Furrower

### **BUNDLES:**

SRB4512 .....	Center Furrower Assembly
SRB4513 .....	L.H. End Furrower Assembly
SRB4514 .....	R.H. End Furrower Assembly

**Peak Bedformers**

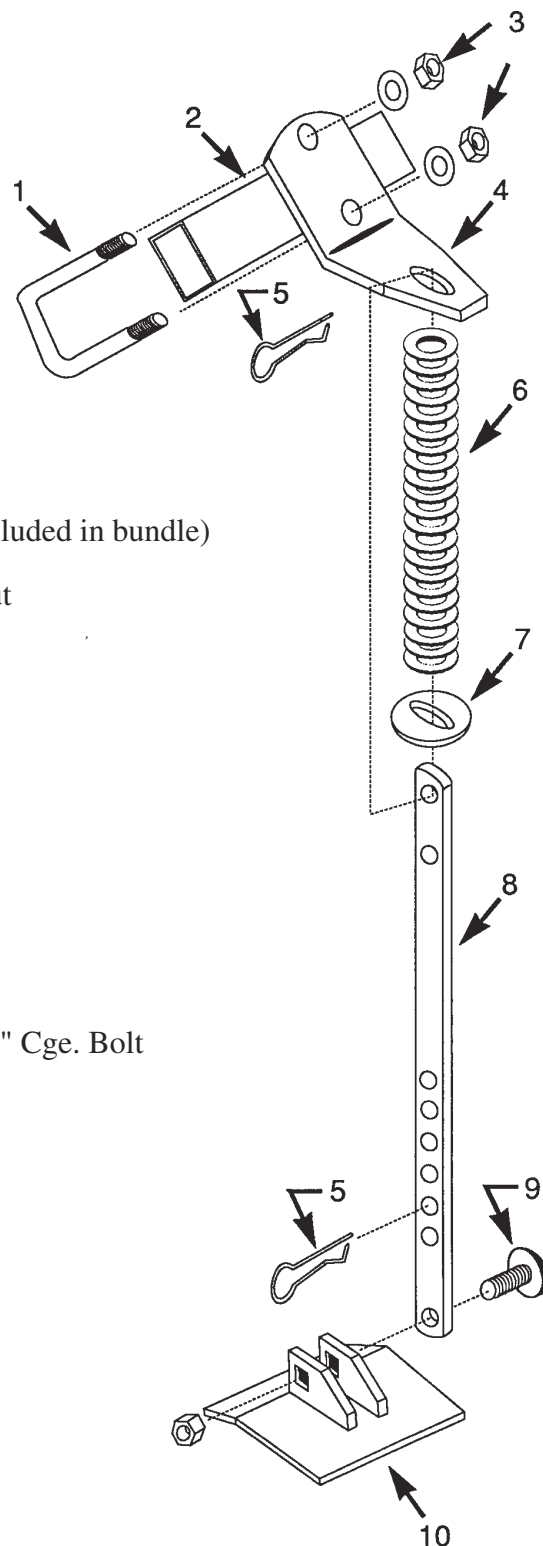
RB1758L&R & RB1758-1L&R



<u>Item #</u>	<u>Part #</u>	<u>No.Used</u>	<u>Description</u>
1 .....	RB2988-*	1 .....	Apron, Row Crop
2 .....	RB1758L	1 .....	Peak Bedformer 4 1/2" Crown
2 .....	RB1758-1L	1 .....	Peak Bedformer 1 1/2" Crown
3 .....	RB1758R	1 .....	Peak Bedformer 4 1/2" Crown
3 .....	RB1758-1R	1 .....	Peak Bedformer 1 1/2" Crown

**Row Crop & Bedder Apron Hold Down - Prior to 1990**

Bundle No. SRB4825



<u>Item</u>	<u>Part #</u>	<u>No.</u>	<u>Description</u>
1 .....	RB-1072 .....	1 .....	"U" Bolt
2 .....	RB-638 (length) .....	1 .....	Rear Bar (not included in bundle)
3 .....	10781 .....	2 .....	1/2" N.C Hex Nut
3 .....	10802 .....	2 .....	1/2" Flatwasher
4 .....	RB-1958 .....	1 .....	Bracket
5 .....	RB-1941 .....	2 .....	Clinch Pin
6 .....	RB-942 .....	1 .....	Spring
7 .....	RB-1959 .....	1 .....	Washer
8 .....	RB-1957 .....	1 .....	Adj. Strap
9 .....	10728 .....	1 .....	1/2" N.C. x 1 1/2" Cge. Bolt
9 .....	20042 .....	1 .....	1/2" Grip Nut
10 .....	RB-2741 .....	1 .....	Apron Bracket